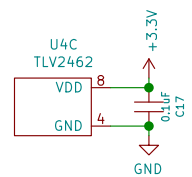
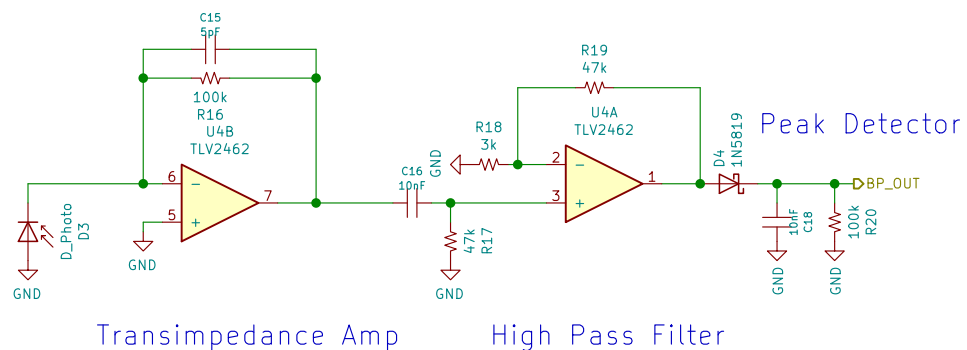


Sheet: /		Date:	
File: hitNSpin.sch		Rev:	
Size: A4	kiCad (5.0.1)-4	Id: 1/2	

# Infrared Beacon Receiver



Sheet: /Infrared/ File: Infrared.sch	
<b>Title:</b>	
Size: A4	Date:
KiCad E.D.A. kicad (5.0.1)-4	Rev: Id: 2/2